

REPORT OF CONCRETE COMPRESSION TEST

TESTED FOR: LONG FOUNDATION

PROJECT:

LONG FOUNDATION

DATE: SEPTEMBER 24, 2008

OUR REPORT NO.:

FIELD DATA:

LOCATION OF PLACEMENT TEST CAISSON #1

DATE PLACED	9/17/08	SUPPLIER	METRO
TIME	4:36 p.m.	DELIVERY TICKET NO./TRUCK NO.	10053
SLUMP, IN.	8	MIX NUMBER AND PROPORTIONS	5,000 2 DAY
AIR CONTENT %	5.5	CEMENT	
AIR TEMPERATURE, °F	82	WATER	
CONCRETE TEMPERATURE, °F	77	FINE AGGREGATE	
DATE RECEIVED IN LAB	9/18/08	COARSE AGGREGATE	
FIELD DATA SUBMITTED BY	PSI/C. O'NEILL	ADMIXTURE	
MIX DATA SUBMITTED BY			

NOTE: APPLICABLE ASTM STANDARDS, UNLESS OTHERWISE INDICATED: SLUMP: C143; AIR CONTENT: C231 (EXCLUDING SEC.6); TEMPERATURE: C1064; CYLINDERS: C31 (EXCLUDING SEC. 10.1.2); SAMPLING: C172

COMPRESSION TEST RESULTS

ASTM C39; C1231

LABORATORY NUMBER	SPECIMEN IDENTIFICATION OR SET NO.	TEST AGE (DAYS)	DATE OF TEST	TOTAL LOAD (LBS.)	CYLINDER DIAMETER (IN.)	CYLINDER AREA (SQ. IN.)	COMPRESSIVE STRENGTH (PSI)	TYPE OF BREAK
1130	1A	7	9/24/08	71525	4.01		5660	TYPE 2
1130	1B	28	10/15/08	99556	4.01		7880	TYPE 2
1130	1C	28	10/15/08	98469	4.01		7800	TYPE 2
1130	1D	9	9/26/08	72456	4.01		5770	TYPE 5
SPECIFICATIONS		28					5000	

REMARKS: Cylinders made by PSI representative Cylinders picked up by PSI representative. Test results comply with applicable specifications.

Cylinders made by Architect's or Contractor's representative Cylinders delivered to PSI laboratory. Test results do not comply with Applicable specifications.

BATCHED: 3:31, EMPTY 4:45, TRUCK NO.241
 DENSITY UNIT WT.=145.6pcf

Respectfully Submitted,
Professional Service Industries, Inc.

THESE TEST RESULTS APPLY ONLY TO THE SPECIFIC SAMPLES TESTED AND MAY NOT BE INDICATIVE OF THE ENTIRE CONCRETE PLACEMENT. REPORTS MAY NOT BE REPRODUCED, EXCEPT IN FULL, WITHOUT WRITTEN PERMISSION BY PROFESSIONAL SERVICE INDUSTRIES, INC.

REPORT OF FIELD INSPECTION OF CONCRETE

TESTED FOR: LONG FOUNDATION

PROJECT: LONG FOUNDATION

DATE: SEPTEMBER 17, 2008

OUR REPORT NO.:

FIELD DATA: Concrete was a 5000 psi mix delivered my MRM, mix number 5000 2 Day.

SET NO.	NO. OF SPECIMENS MADE	CONCRETE SUPPLIER TICKET NUMBER	TIME TRUCK DISPATCHED	TIME TRUCK UNLOADED	CUBIC YARDS OF CONCRETE	SLUMP, in.	AIR CONTENT, %	TEMPERATURE, °F	
								AIR	CONCRETE
1	4	10053	3:31pm	4:45pm	9	8	5.5	82	77

LOCATION:

1	Unit wt.=145.6PCF

NOTE: APPLICABLE ASTM STANDARDS, UNLESS OTHERWISE INDICATED: MAKING SPECIMENS: C31-00 (EXC. SEC. 9.1.2); SLUMP: C143-00; AIR CONTENT: C231-97 (EXC. SEC. 6); TEMPERATURE: C1064-99; SAMPLING: C172-99

REMARKS: Observed the placement of 9 cubic yards of concrete.

Respectfully submitted,
Professional Service Industries, Inc.

THESE TEST RESULTS APPLY ONLY TO THE SPECIFIC SAMPLES TESTED AND MAY NOT BE INDICATIVE OF THE ENTIRE CONCRETE PLACEMENT. REPORTS MAY NOT BE REPRODUCED, EXCEPT IN FULL, WITHOUT WRITTEN PERMISSION BY PROFESSIONAL SERVICE INDUSTRIES, INC.

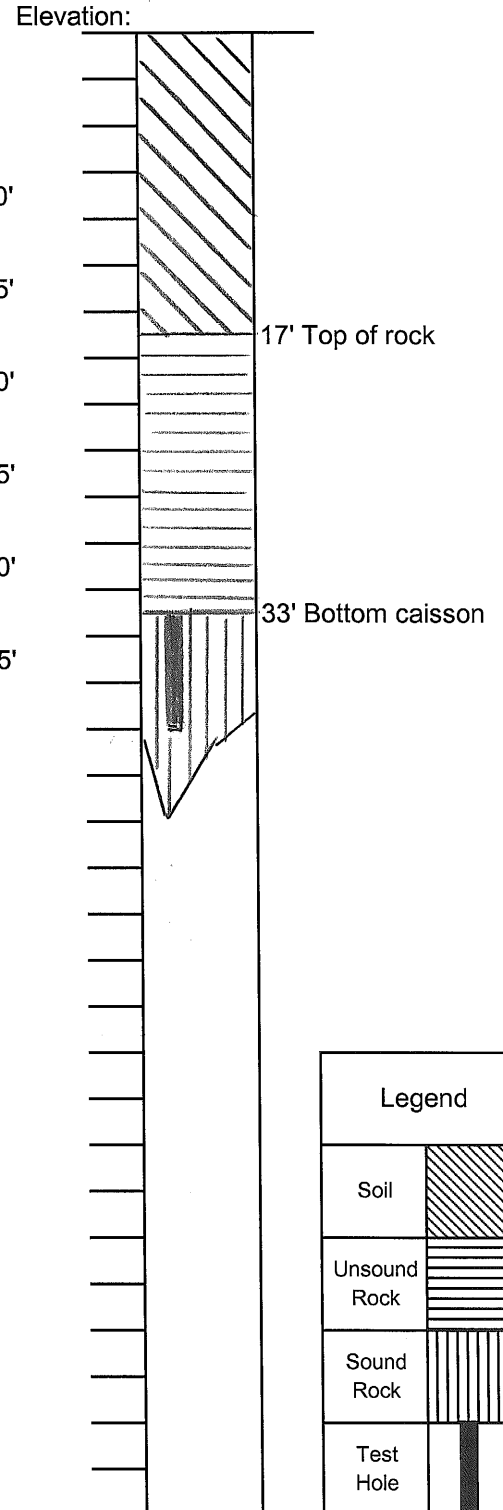
CAISSON FIELD DATA REPORT

LONG FOUNDATION

PSI Report No.: Load cell in bottom of caisson

Date: 9/17/2008

Caisson Number	
Caisson Location	
Caisson Diameter, in	48"
Socket Depth Required, ft	
Ground Elevation	
Plumbness Checked (see notes)	
Caisson Start Date/Time	
Caisson Drilling Complete Date/Time	
Caisson Length (Top of Concrete to Bottom)	
Top of Rock (Elevation)	Minus 17 feet
Bottom of Caisson (Elevation)	Minus 33 feet
Test Holes (number/length)	1 at 51"
Rock depth removed	16 feet
Test Hole Accepted (date/time)	
Loose Material at Bottom (?)	Yes
Water Condition at Bottom (depth/flow rate)	None
Reinforcing steel, vertical (size/spacing)	6 #9
Reinforcing steel, bands (size/spacing)	#4 at 12" O.C.
Reinforcing steel clearance from sides	
Reinforcing steel clearance from bottom	
Concrete volume - theoretical	
Concrete volume - actual	
Top of Concrete elevation	
Concrete placement start (date/time)	9/17/08 - 4:27pm
Concrete placement finish (date/time)	9/17/08 - 4:45pm



REMARKS

- 3 inch soil seam at 19 inches

- 1/2 inch rock

- 3/4 inch soil seam

- 18 inch weathered rock with voids and shale

- 51 inch deep test hole

Note: *Plumbness check done by contractor; observed by PSI. Caissons were constructed using steel casing.*

Surveyed locations and elevations were provided to PSI by others.

REPORT OF CONCRETE COMPRESSION TEST

TESTED FOR: LONG FOUNDATION

PROJECT:

LONG FOUNDATION

DATE: OCTOBER 9, 2008

OUR REPORT NO.:

FIELD DATA:

LOCATION OF PLACEMENT Test Shaft #2

DATE PLACED	10/2/08	SUPPLIER	METRO
TIME	1:21 p.m.	DELIVERY TICKET NO./TRUCK NO.	11202
SLUMP, IN.	6.5"	MIX NUMBER AND PROPORTIONS	5,000 2 DAY PT AE
AIR CONTENT %	8.0	CEMENT	
AIR TEMPERATURE, °F	72	WATER	
CONCRETE TEMPERATURE, °F	77	FINE AGGREGATE	
DATE RECEIVED IN LAB	10/3/08	COARSE AGGREGATE	
FIELD DATA SUBMITTED BY	PSI/C. O'NEILL	ADMIXTURE	PLASTICIZER
MIX DATA SUBMITTED BY			

NOTE: APPLICABLE ASTM STANDARDS, UNLESS OTHERWISE INDICATED: SLUMP: C143; AIR CONTENT: C231 (EXCLUDING SEC.8); TEMPERATURE: C1064; CYLINDERS: C31 (EXCLUDING SEC. 10.1.2); SAMPLING: C172

COMPRESSION TEST RESULTS

ASTM C39; C1231

LABORATORY NUMBER	SPECIMEN IDENTIFICATION OR SET NO.	TEST AGE (DAYS)	DATE OF TEST	TOTAL LOAD (LBS.)	CYLINDER DIAMETER (IN.)	CYLINDER AREA (SQ. IN.)	COMPRESSIVE STRENGTH (PSI)	TYPE OF BREAK
1371	1A	7	10/09/08	62743	4.00		4990	TYPE 2
1371	1B	28	10/30/08	85761	4.01		6790	TYPE 5
1371	1C	28	10/30/08	81428	4.01		6450	TYPE 2
1371	1D	12	10/14/08	74188	4.00		5900	TYPE 2
SPECIFICATIONS		28					5000	

REMARKS:

Cylinders made by PSI representative

Cylinders picked up by PSI representative.

Test results comply with applicable specifications.

Cylinders made by Architect's or Contractor's representative

Cylinders delivered to PSI laboratory.

Test results do not comply with Applicable specifications.

BATCHED: 12:14, EMPTY: 1:17, TRUCK NO.201

DENSITY UNIT WT.=140.0pcf

Respectfully Submitted,
Professional Service Industries, Inc.

REPORT OF FIELD INSPECTION OF CONCRETE

TESTED FOR: LONG FOUNDATION

PROJECT: LONG FOUNDATION

DATE: OCTOBER 2, 2008

OUR REPORT NO.:

FIELD DATA: Concrete was a 5000 psi mi delivered by MRM, mix number 5000 2 Day PT.

SET NO.	NO. OF SPECIMENS MADE	CONCRETE SUPPLIER TICKET NUMBER	TIME TRUCK DISPATCHED	TIME TRUCK UNLOADED	CUBIC YARDS OF CONCRETE	SLUMP, in.	AIR CONTENT, %	TEMPERATURE, °F	
								AIR	CONCRETE
1	4	11202	12:14pm	1:17pm	9	6.5	8.0	72	77

LOCATION:

1	Sampled at shaft #2, unit wt.=140.0pcf

NOTE: APPLICABLE ASTM STANDARDS, UNLESS OTHERWISE INDICATED: MAKING SPECIMENS: C31-00 (EXC. SEC. 9.1.2); SLUMP: C143-00; AIR CONTENT: C231-97 (EXC. SEC. 6); TEMPERATURE: C1064-99; SAMPLING: C172-99

REMARKS: Observed the placement of 20 cubic yards of concrete.

Respectfully submitted,
Professional Service Industries, Inc.

THESE TEST RESULTS APPLY ONLY TO THE SPECIFIC SAMPLES TESTED AND MAY NOT BE INDICATIVE OF THE ENTIRE CONCRETE PLACEMENT. REPORTS MAY NOT BE REPRODUCED, EXCEPT IN FULL, WITHOUT WRITTEN PERMISSION BY PROFESSIONAL SERVICE INDUSTRIES, INC.

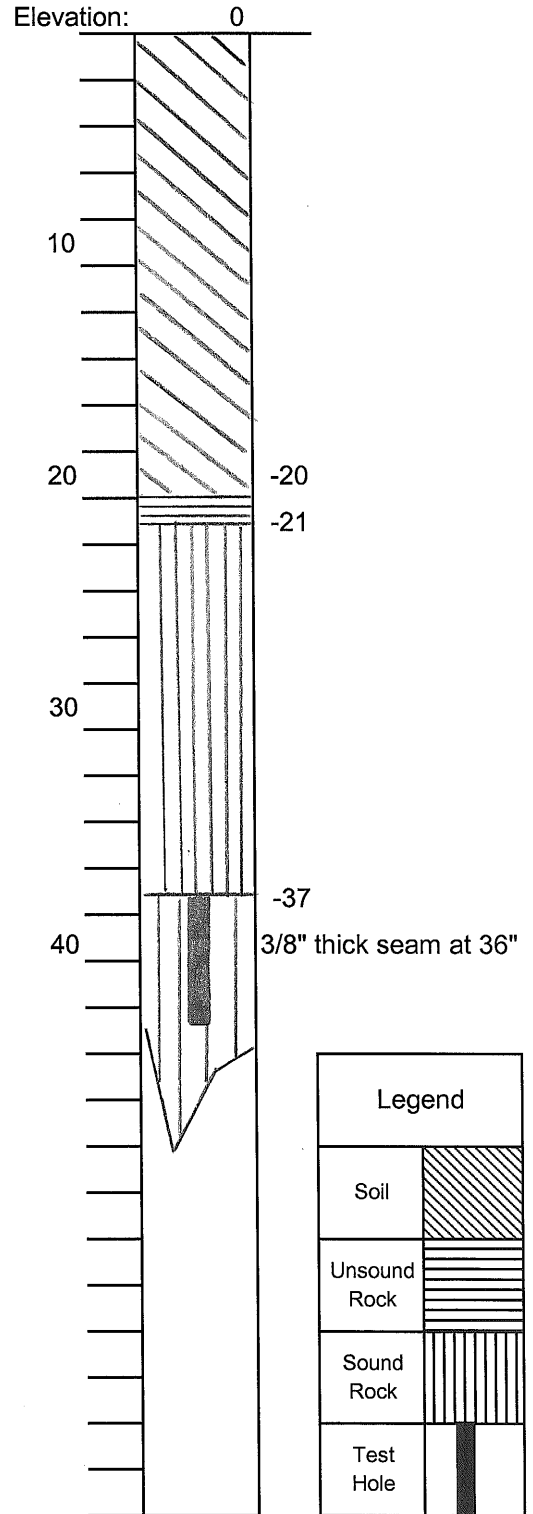
CAISSON FIELD DATA REPORT

LONG FOUNDATION

PSI Report No.: _____

 Date: 10/2/2008

Caisson Number	Test Shaft
Caisson Location	#2
Caisson Diameter, in	48"
Socket Depth Required, ft	
Ground Elevation	
Plumbness Checked (see notes)	
Caisson Start Date/Time	
Caisson Drilling Complete Date/Time	
Caisson Length (Top of Concrete to Bottom)	
Top of Rock (Elevation)	Minus 20 feet
Bottom of Caisson (Elevation)	Minus 37 feet
Test Holes (number/length)	1 - 6 feet
Rock depth removed	17 feet
Test Hole Accepted (date/time)	10/2/2008
Loose Material at Bottom (?)	No
Water Condition at Bottom (depth/flow rate)	Dry
Reinforcing steel, vertical (size/spacing)	5 #9
Reinforcing steel, bands (size/spacing)	#3 at 24"
Reinforcing steel clearance from sides	3"
Reinforcing steel clearance from bottom	
Concrete volume - theoretical	
Concrete volume - actual	
Top of Concrete elevation	
Concrete placement start (date/time)	10/2/2008
Concrete placement finish (date/time)	


REMARKS

Note: Plumbness check done by contractor; observed by PSI. Caissons were constructed using steel casing.

Surveyed locations and elevations were provided to PSI by others.